

Multilayer Chip Suppressions / High Current Chip Bead ~ MI1005 SERIES

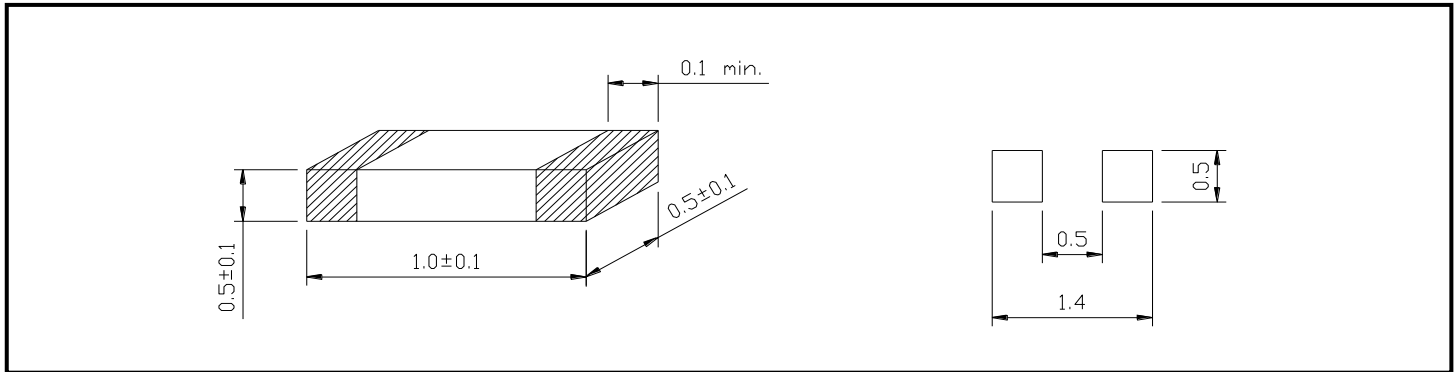


PART NUMBERING SYSTEM

<u>MI</u> TYPE	-	<u>1005</u> DIMENSIONS	-	<u>121</u> IMPEDANCE	-	<u>1.2A</u> DC CURRENT	-	<u>LF</u> LEAD FREE
-------------------	---	---------------------------	---	-------------------------	---	---------------------------	---	------------------------

SHAPES AND DIMENSIONS

UNIT : mm



- Noise reduction solution for general signal line.
- Great reduce the possibility of resonance and signal wave forms undistorted.
- Excellent solder heat resistance.
- Various impedances are available to match signal frequency.

SPECIFICATION TABLE

PART NUMBER	IMPEDANCE (Ω) at 100MHz	DCR (Ω) (max)	IDC (mA) (max)
MI1005-330-3A-LF	33±25%	0.022	3000
MI1005-600-1.5A-LF	60±25%	0.075	1500
MI1005-600-2.5A-LF	60±25%	0.032	2500
MI1005-800-1.5A-LF	80±25%	0.075	1500
MI1005-800-2.3A-LF	80±25%	0.038	2300
MI1005-121-1.2A-LF	120±25%	0.090	1200
MI1005-121-2A-LF	120±25%	0.055	2000
MI1005-181-1.5A-LF	180±25%	0.150	1500
MI1005-221-1.1A-LF	220±25%	0.180	1100

PART NUMBER	IMPEDANCE (Ω) at 100MHz	DCR (Ω) (max)	IDC (mA) (max)
MI1005-221-1.5A-LF	220 \pm 25%	0.150	1500
MI1005-301-1.2A-LF	300 \pm 25%	0.150	1200
MI1005-471-1.1A-LF	470 \pm 25%	0.180	1100
MI1005-601-1A-LF	600 \pm 25%	0.200	1000

- Test equipment: Agilent/HP-4291A impedance analyzer or equipment.
- Operating temperature range -55°C to +125°C.
- Electrical specifications at 25°C.
- Packing: 7" reel, machine-ready, embossed plastic tape (10,000 parts per full reel)
- Automotive grade available

